

# COLORado™ 2 Zoom Tour

## SPECIFICATIONS & FEATURES

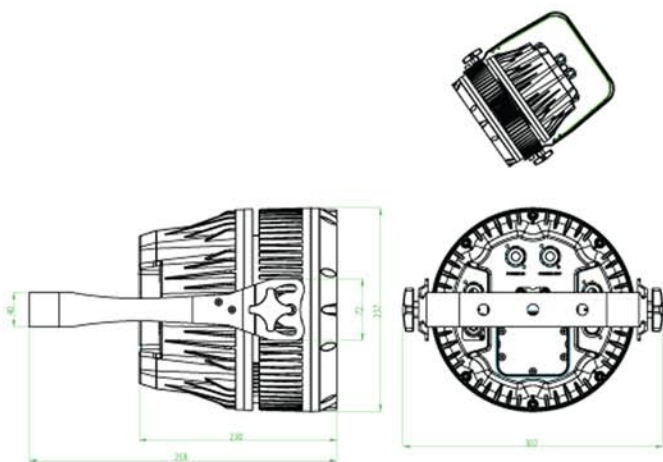
CHAUVET®



### DETAILED SPECIFICATIONS:

#### FEATURES

- DMX channels: 3, 4, 5, 6, or 12-channel
- Operating modes:
  - 3-channel: ARC1
  - 3-channel: HSV
  - 4-channel: AR1D
  - 4-channel: ARC2
  - 5-channel: ARC2D
  - 6-channel: ARC2S
  - 12-channel: TOUR
- RGBW color mixing and zoom control with or without DMX control
- Color temperature presets (3,200 ~ 10,000 K)
- 6°- 35° zoom control with or without DMX control
- Built-in automated programs via master/slave or DMX
- Recall custom programs via master/slave or DMX
- Five distinct dimming curves
- RGBW LEDs
- Electronic dimmer
- Color macros with speed adjustment included
- Electronic power supply
- Neutrik powerCon connectors
- 3-pin and 5-pin DMX input and output connectors
- Additional power output: max 6 units @ 120 V
- LED display with password protection
- Gel frame holder (4 mm max thickness)
- Double-bracket yoke doubles as floor stand
- Color Calibration
- Flicker free operation for HD Video



### AT A GLANCE:

RGBW Color Mixing



### Key Features:

- 61, 3 W RGBW LEDs deliver huge output with the ability to show the most subtle pastels.
- 6~35 degree zoom allows for programming versatility in keeping light where its needed.
- Silent, fan-free operation allows for use in noise sensitive environments
- Direct 3 & 5-pin DMX in/out and powerCON in/out make connections a breeze.
- Flicker free performance, makes the fixture safe for use on camera
- Built-in color temperature presets provide predictable color every time.

### About this light:

COLORado™ 2 Zoom Tour successfully challenges any quality PAR can in today's market in terms of the brightness emitted by its 61, 3 W CREE RGBW LEDs. The incorporation of a wide range zoom (6~35deg) lends the flexibility to highlight specific areas or flood a stage. Secure Neutrik® powerCON® and direct 3 and 5-pin DMX connectors make installation a breeze.

### Specifications

- DMX connectors: 3-pin & 5-pin
- Source: 61 (3 W) LEDs, 50,000 hours
- Configuration: 17 red (800 mA), 17 green (800 mA), 17 blue (800 mA), 10 white (800 mA)
- Beam angle: 6° - 35°
- Field angle: 10.5° - 44°
- Lux: 6,342 (6°) - 401 (35°) @ 5 m
- Power linking: 6 units @ 120 V (max.) / 12 units @ 230 V (max.)
- AC Voltage Range: 100 - 240 V, 50/60 Hz (auto-ranging)
- Power Consumption 120 V, 60 Hz: 180 W, 1.5 A (operating)
- Power Consumption 230 V, 50 Hz: 176 W, 0.77 A (operating)
- Dimensions: 9.4 x 11.7 x 14.8 in (239 x 298 x 375 mm)
- Weight: 17.5 lbs (7.9 kg)
- Power Connection: Neutrik powerCON power input and output connector
- Control Connection: 3-pin and 5-pin DMX input and output connectors
- Certification: CE, MET
- Environment: IP20, dry location

www.chauvetlighting.com  
www.chauvetlighting.co.uk

CHAUVET®